

Overhead view

CRIB® TPRS CARRIER LITERATURE CANISTER INSTALLATION GUIDE

BASE PIECES

1. CRIB TPRS Carrier (1 piece)
2. Literature Canister Lid (1 piece)
3. Literature Canister (1 piece)
4. Tube Mounting Hole (2 Locations)

BASE HARDWARE

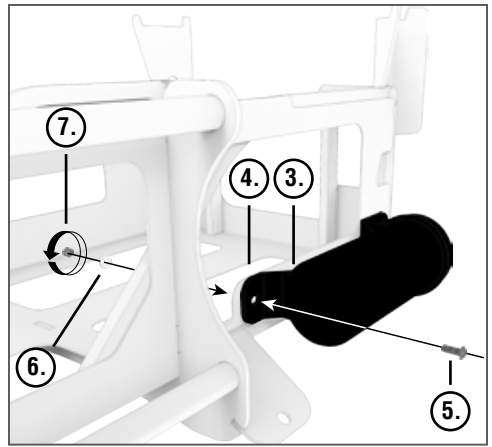
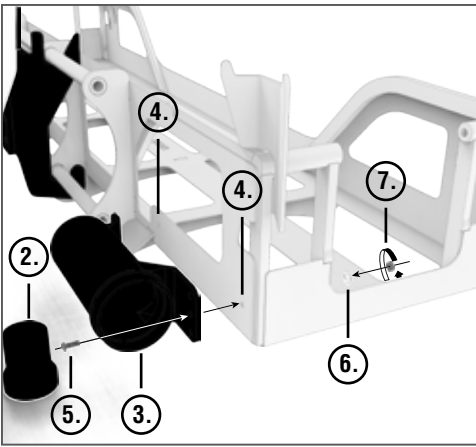
5. 1/4-20 x 5/8" Screw (2 piece)
6. 5/8" Washer (2 pieces)
7. 1/4-20 Locknut (2 pieces)

TOOLS REQUIRED:

1. 7/16" Wrench
2. 5/32" Allen Wrench (Hex Key)

INTRODUCTION

Introducing another product improvement by PSS to CRIB TPRS Cargo Carrier--an easy-open document and hardware canister. This canister allows for quick access to relevant RoadQuake® literature and RoadQuake Breakaway Link Repair hardware. The supplied canister will include the CRIB Canister Installation Guide, a "rollable" version of the RoadQuake Best Practices, and one RoadQuake® Breakaway Link Repair Kit. Instructions for installing your canister are printed on the reverse side of this document.

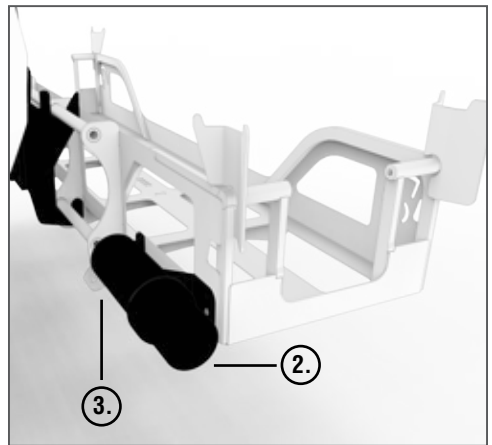
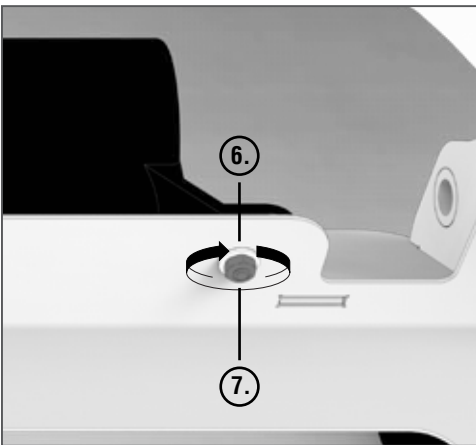


STEP 1

Locate the **Tube Mounting Holes** (#4) on the driver side of a rear mounted CRIB. Remove the **Literature Canister Lid** (#2). Insert the **1/4-20 x 5/8\"**

STEP 2

While holding the **Literature Canister** (#3) in place, insert the **1/4-20 x 5/8\"**



STEP 3

Tighten both **1/4-20 Locknuts** (#7) on the inside of CRIB while holding the **5/8\"**

STEP 4

Place all desired items inside the canister and install the **Literature Canister Lid** (#2) back on the **Literature Canister** (#3) .

Follow us on:

